



Economy Batch Unit-Stainless Steel

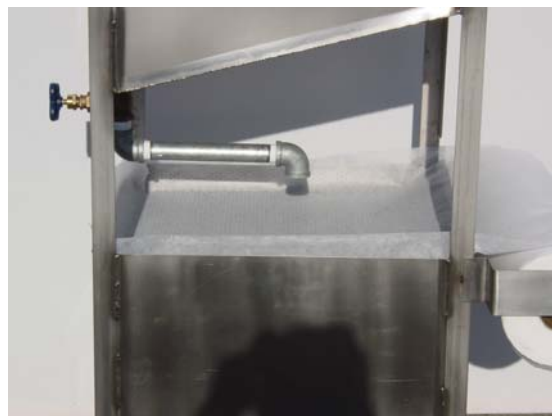
This unit is a small economical unit designed for simple non-automated processing of small batches of wastewater. The unit is completely manual and requires only 110 VAC power to operate. The unit has been designed to be portable and can easily be trailer mounted. Constructed of stainless steel the unit is intended for long life and durability



The unit is extremely simple to use. The wastewater is poured or pumped into the top tank of the unit. The mixing motor is turned on and Floccin is added in the tank. The mixture is allowed to mix for 10 minutes.

The motor is turned off and the discharge valve is open to flow onto the filter paper. After the water is all drained from the upper tank. The filter paper is advanced from the roll and flocculated material is discarded.

The photo below shows the discharge table, designed to hold filter paper up on the sides of the filter bed.

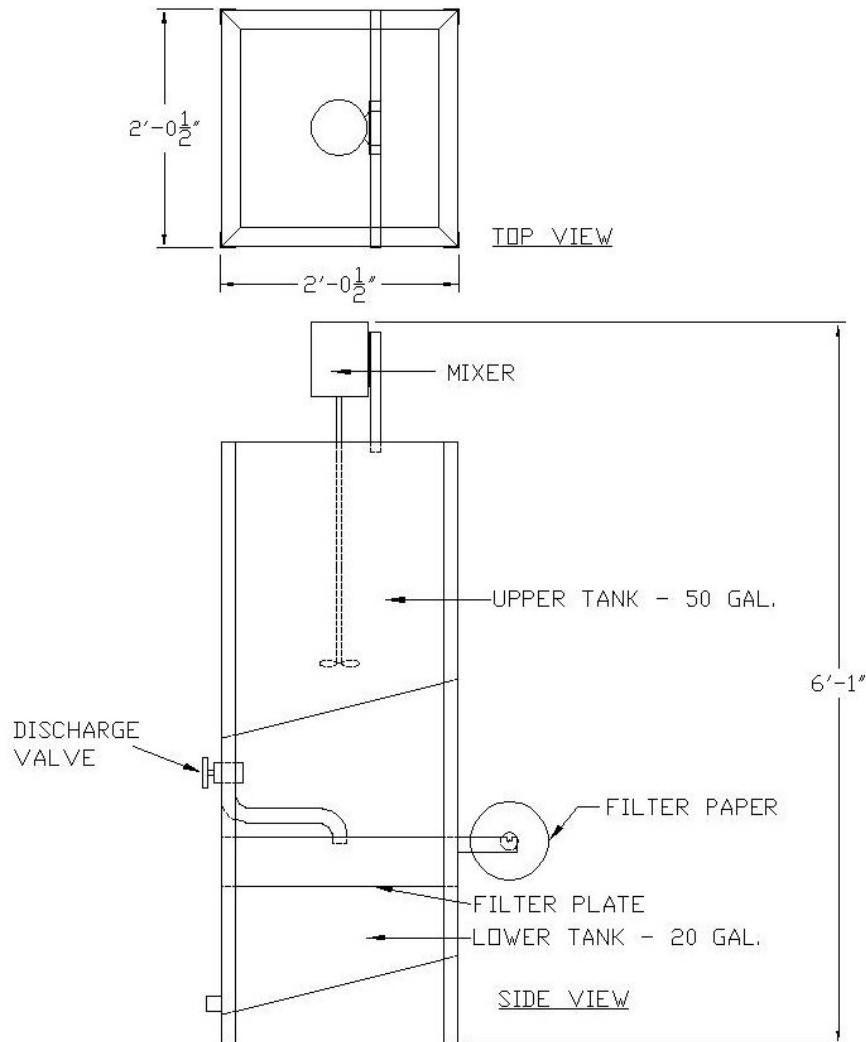


Filter discharge table

Unit Specifications

Upper tank capacity	50 gal.
Lower tank capacity	22 gal.
Mixing Motor	1/3 Hp 110VAC/7.2 Amp
Filter Bed	24 in. x 24 in.
Lower tank outlet	1/2" NPT
Filter Paper	28" wide

System Specifications



Model	Width x Depth	Height	Upper Volume
EU 50	24.5 in. x 24.5 in. (62 cm x 62 cm)	73 in. (185 cm)	50 gal (190 L)



To Contact Us
sales@wecleanwater.

40308 Greenwood Way
Oakhurst, CA 93644

Phone (559) 683-8284
Fax (559) 683-8913